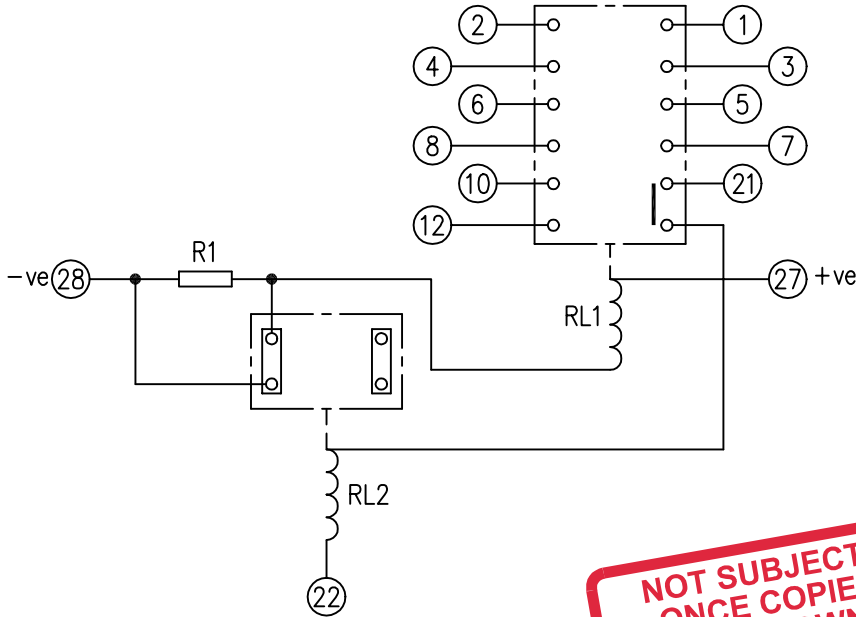


2112W50053

LOOKING ON FRONT OF RELAY



NOT SUBJECT TO UPDATE  
ONCE COPIED / PRINTED  
OR DOWNLOADED

KEY	220&240	
		125
	50	
	30	
	24	
	VDC	R1

CONTACT CONFIG.	OUTPUT CONTACT PAIR / TERMINAL No.										NOTE:
	1-3	2-4	5-7	6-8	9-11	10-12	13-15	14-16	17-19	18-20	
5M	M	M	M	M	/	M	/	/	/	/	1. FOR CONTACTS NOT SHOWN AS EITHER MAKE OR BREAK SEE TABLE.
4M 1B	M	B	M	M	/	M	/	/	/		
3M 2B	B	B	M	M	/	M	/	/	/		
2M 3B	B	B	M	B	/	M	/	/	/		
1M 4B	B	B	B	B	/	M	/	/	/		
	5B	B	B	B	/	B	/	/	/		

FRAME REFERENCE: E4FE02.  
 FRAME TERMINAL BLOCK ASSY: -  
 ASSEMBLY INSTRUCTIONS: -  
 TYPICAL ASSEMBLY DRAWING 2995G10032.  
 AT INDICATED POSITIONS FIT AS FOLLOWS:  
 T - FIT TRIP ISOLATION CONTACT 2995B10053  
 S - FIT STANDARD CONTACT 2995B10054  
 SECURE CONTACTS USING FIXING SCREW 2109F99009.  
 POSITIONS SHOWN BLANK ARE UNUSED

2	T	T	1
4	T	T	3
6	T	T	5
8	T	T	7
10	T		9
12	T		11
14			13
16			15
18			17
20			19
22	S	S	21
24			23
26			25
28	S	S	27

VIEW FROM NUMBERED SIDE OF BLOCK

OUTER TERMINAL BLOCK ASSY: -  
 ASSEMBLY INSTRUCTIONS: -  
 TYPICAL ASSEMBLY DRAWING 2995G10029.  
 AT INDICATED POSITIONS FIT AS FOLLOWS:  
 S - FIT STANDARD CONTACT 2995B10051  
 HC - FIT 'HEAVY CURRENT' KIT 2995G10030  
 WHERE IS SHOWN FIT CT SHORTING KIT 2995G10031  
 POSITIONS SHOWN BLANK ARE UNUSED.  
 ALL POSITIONS FIT SCREW 2106F12506.

2	S	S	1
4	S	S	3
6	S	S	5
8	S	S	7
10	S		9
12	S		11
14			13
16			15
18			17
20			19
22	S	S	21
24			23
26			25
28	S	S	27

VIEW FROM INSIDE FACE

1	20/04/99	MOD.No.	Title. T.B. AND WIRING DIAG. FOR TR312 RELAYS IN EPSILON E4 CASE.		First used on:
			<b>Reyrolle Protection Hebburn.</b>		Similar Articles:
<b>Original Scale.</b>		Supersedes:			
		<b>2112W50053</b>		Drq.No.	
DRAWN: A.LAW. CHECKED: APPROVED: R.D.WATSON DATE: 16/07/02				Copyright © 1999 Reyrolle Ltd	